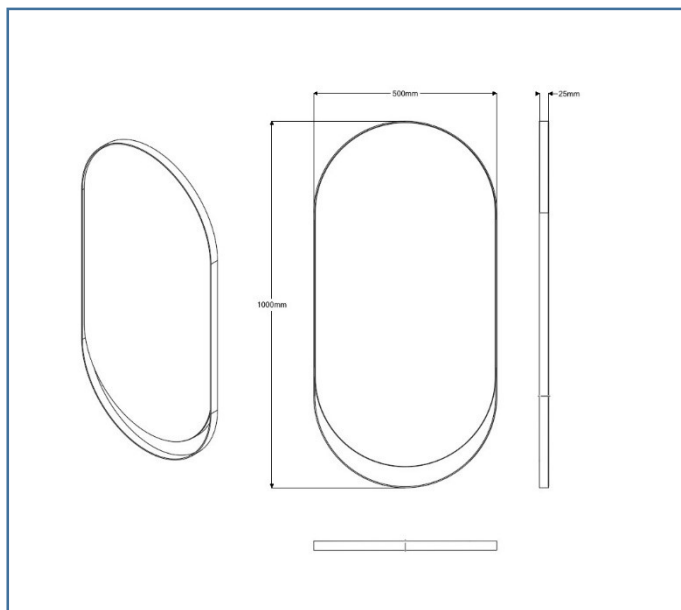


**MODEL: TAMAGO**

**CODE: 10S10225001000**

**TYPE: ORNAMENTAL MIRROR**



## PRODUCT CHARACTERISTICS:

DESCRIP:	Ornamental mirror suitable for wall mounting. Steel frame painted with epoxy powder or liquid with protective coating. SGG or AGC mirror th. 4mm. Without lighting.
HANGER:	Fixed not adjustable.
LIGHTING:	-
EQUIPMENT:	Anti-splinter and anti-breakage rear ANTI-CRASH safety film. Preventive perimeter anti-humidity treatment for the "rust" bloom of the mirror (where possible).
FINISH:	Matt epoxy painting: white, anthracite and black. Liquid painting with protective: pink, champagne, burnished and gray.
OPTIONAL:	-
VARIANTS AVAILABLE:	10S10225001000.. ..B (white) ..A(anthracite) ..N(black) ..R (pink) ..C (champagne) ..U (burnished) ..G(grey).
DIMENSIONS:	L500 x H1000 x P25 mm.
PACKING:	Single on box with protective polystyrene.

Please note photos and drawings not related to this product, only indicative, correct description.

D.D.L. s.r.l.

Via Trento Trieste, 112 - 31050 Veduggio (TV) – Italy

Tel +39 0423 489245 Fax +39 0423 499333 e-mail: commerciale@ddl.it Pec: ddl@legalmail.it Internet: www.ddl.it  
C.F. / P.Iva IT03320620267 Reg. imprese TV-1998-297 cap. soc. € 220.000 i.v.